

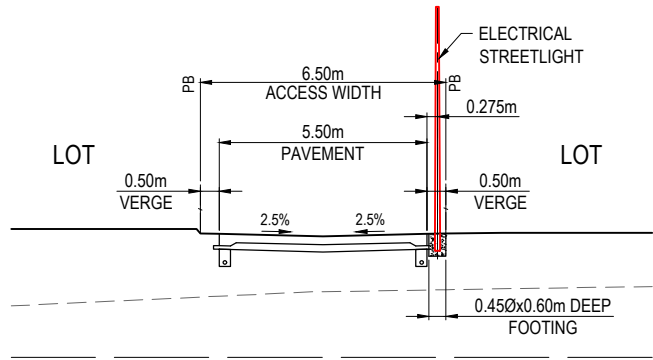
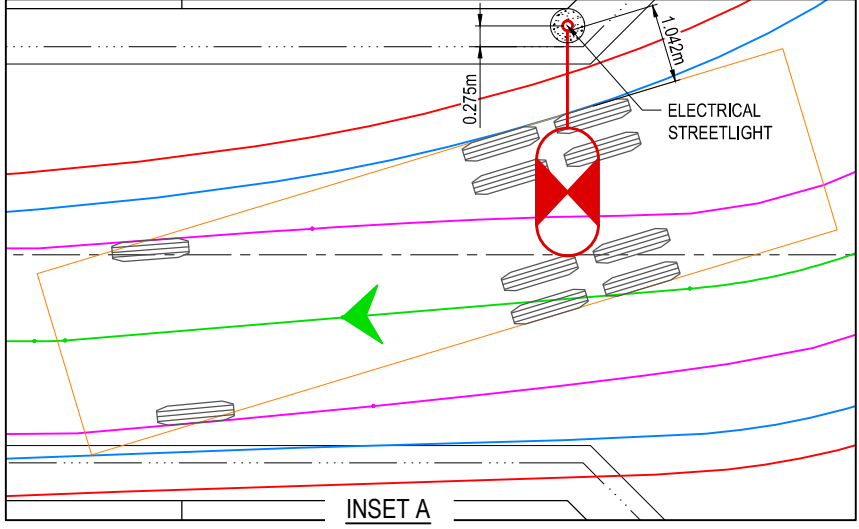
SWEPT PATH LEGEND

- VEHICLE BODY
- FRONT TIRES
- VEHICLE PATH
- VEHICLE CLEARANCE (500mm)
- VEHICLE

TAPS Code Side Loader

Meters

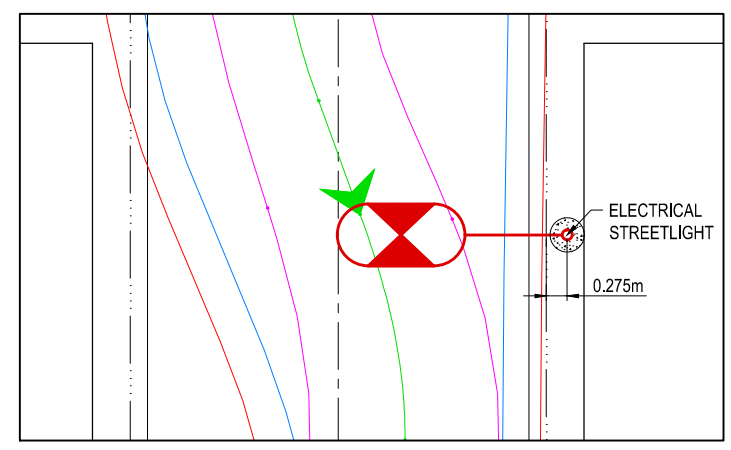
- Width : 2.50
- Track : 2.50
- Lock to Lock Time : 6.0
- Steering Angle : 39.9
- Travel Height : 4.0
- Operating Height : 4.50



LANE 1, 2, 3, 4 5 - TYPICAL CROSS SECTION

SCALE: 1:100(A1)

SCALE: 1:200(A3)



REVISION 1 18.03.20 ISSUED FOR APPROVAL		DRAWN CHC		DESIGN AA		DRAWN CHECK STATUS		FOR APPROVAL NOT FOR CONSTRUCTION		SCALE 1:200 2 0 2 4 6 8 10m A1 1:400		CLIENT ECONOMIC DEVELOPMENT QUEENSLAND		PROJECT CARSELDINE URBAN VILLAGE STAGE 1		DRAWING TITLE ELECTRICAL STREETLIGHTS AND TURN PATHS SHEET 1 OF 2	
APPROVED DANIEL COLLINS RPEQ 18631								FOR & ON BEHALF OF CALIBRE CONSULTING (QLD) PTY LTD		PROJECT No. 15-003002.01		DRAWING No. SK-1350		REVISION 1			

PDA. REF NO. DEV----/---

DISCLAIMER
 ALL DIMENSIONS TO BE CHECKED ON SITE BY CONTRACTOR PRIOR TO CONSTRUCTION. USE WRITTEN DIMENSIONS ONLY. DO NOT SCALE.

